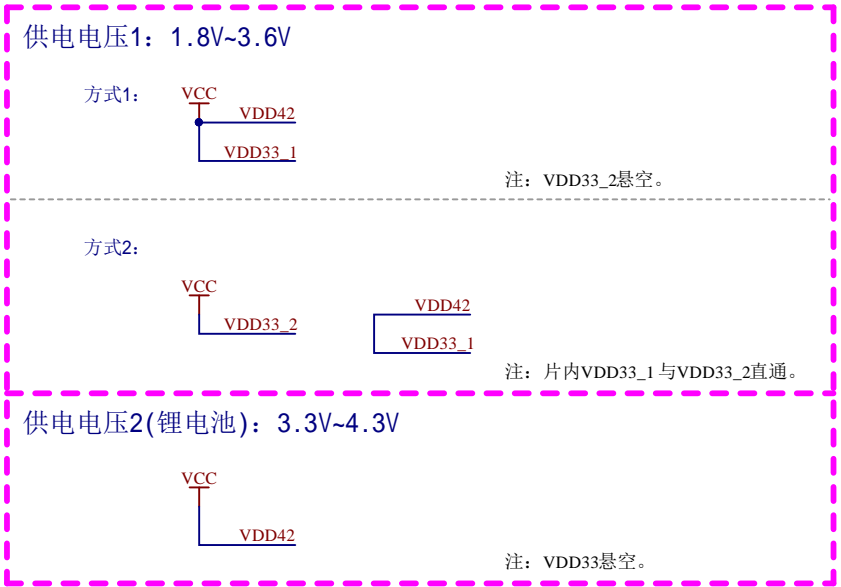


注： 1. C4需靠近芯片PIN7；
2. C6需靠近所选芯片电源PIN脚。



- C1: NC
- C2: NC
- C3: NC
- C4: 2.2pF
- C5: 4.7uF
- C6: 100nF

Title: 参考原理图		
Size: A4	Date: 2023.04.03	Revision: V1.0
File: Datasheet.SchDoc		

Comment	Description	Designator	Footprint	LibRef	Quantity
---------	-------------	------------	-----------	--------	----------